

McCULLOCH®

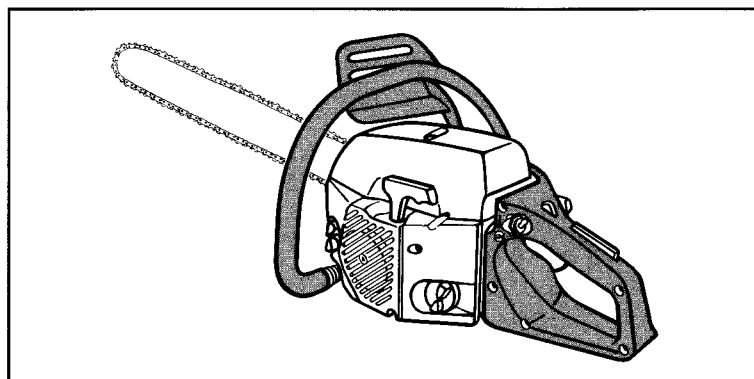
PARTNER

ILLUSTRATED PARTS LIST

**MAC 538E-540E-545E
CALIFORNIA
EUROMAC S42-S44-S45
PARTNER P538**

SERIAL NUMBER PREFIX 01

CE



September 2000

B Kit gasket PN 247249 (*-58-60-74-78-106)
 B Kit guarnizioni PN 247249 (*-58-60-74-78-106)
 B Kit joint PN 247249 (*-58-60-74-78-106)
 B Kit dichtung PN 247249 (*-58-60-74-78-106)

C	1	248438	1	76	236997	M5x30	2
A	4	235217	2	77	236529		2
C	5	241993	1	A 78	227692		1
B	6	235073	1	C 79	FIGURE 3		
	7	235812	1	80	240328		2
	8	235076	1	B 81	241238		1
	9	235806	M5x20	81A	240334	M4x40	2
C	10	241907	1	82	240262		1
	11	241905	1	83	235248		2
	12	241904	1	84	235216		2
	13	241906	1	85	241239		2
	14	235642	2	B 85A	240263		1
	15	241902	1	86	240322		2
	16	242017	1	87	241998	38-40cc McCulloch	1
	17	241903	1		241995	46cc McCulloch	1
	18	241871	38-40cc		242063	California	1
		241873	46cc		241515	Euromac	1
C	19	● 235742	38-40cc		241931	Partner	1
		227329	46cc	88	● 240320		1
C	20	227631	1	89	● 240321		1
	21	235672	1	90	● 236936		1
C	22	240339	1	91	● 240272		1
C	23	● 240301	1	93	240291		1
C	24	● 240302	1	94	● 240297		1
	25	● 240303	1	95	● 236981		2
C	26	● 240367	1	96	240299		1
	27	● 240862	5	97	236997	M5x30	1
	28	229524	1	98	227626		2
C	29	240859	1	99	227567	M5x70	2
	30	227259	1	101	229137		1
	31	240845	M5x16	102	248497		1
C	32	247259	1	103	● 235899		1
	33	240315	2	C 104	● 241879		1
	34	235248	2	105	● 235900		1
	35	235802	M5x14	105A	● 241077		1
	36	235806	M5x20	106	● 240312		1
	37	240281	1	107	● 241253		1
B	38	241231	38-40cc	C 108	● 228872		1
B		240289	46cc	109	● 235075		1
B	39	240285	1	110	● 94006		1
	40	240354	1	B 111	● 241880	M6	2
	41	235248	1	114	235287		1
	42	235802	M5x14	117	227259		1
	43	235248	1	118	235806	M5x20	1
	44	235803	M5x25	B 119	240260	3/8"	1
	45	227259	1	B	240266	.325"	1
	46	235802	M5x14	B 120	241908		1
C	47	240336	McCulloch	B 121	235367		1
C		241933	Partner	B 122	241909		1
	48	● 240316	M5x35	123	235642		1
	49	● 240921	1	124	241346		1
	50	● 229208	1	125	242006		1
	51	● 240884	1	126	240309		1
B	52	● 235372	1	C 127	240363		1
A	53	● 235042	1	B 128	240286		1
B	54	● 235040	1	129	235802	M5x14	2
	55	235248	3	C 130	241882		1
	56	236997	M5x30	132	240920		1
B	57	240866	1	133	● 240300		1
C	58	● 235511	1	B 134	● 240868		1
B	59	240865	1	C 135	● 235675		1
C	60	● 235510	1	A 136	● 240452		1
	61	247290	1	C 137	● 227582		1
	62	● 240358	3	138	● 229716		1
	63	235218	1	139	94273		1
	64	241204	1	142	240323		1
B	65	● 235516	2	146	236997	M5x30	4
B	66	● 235517	2	B 147	241883		1
B	67	● 235518	2	C 148	● 241885		1
C	68	241291	1	149	● 241895		1
C	69	● 240370	1	150	● 241896		1
C	70	FIGURE 2		C 151	225062		1
	71	227565	M5x25	153	242004		1
	72	236934	1	B 154	● 240926		3
A	73	92879	1	155	● 227359		3
B	74	240345	1	156	● 242005		1
	75	240271	38-40cc	157	235248		1
		240261	46cc	158	228139		1

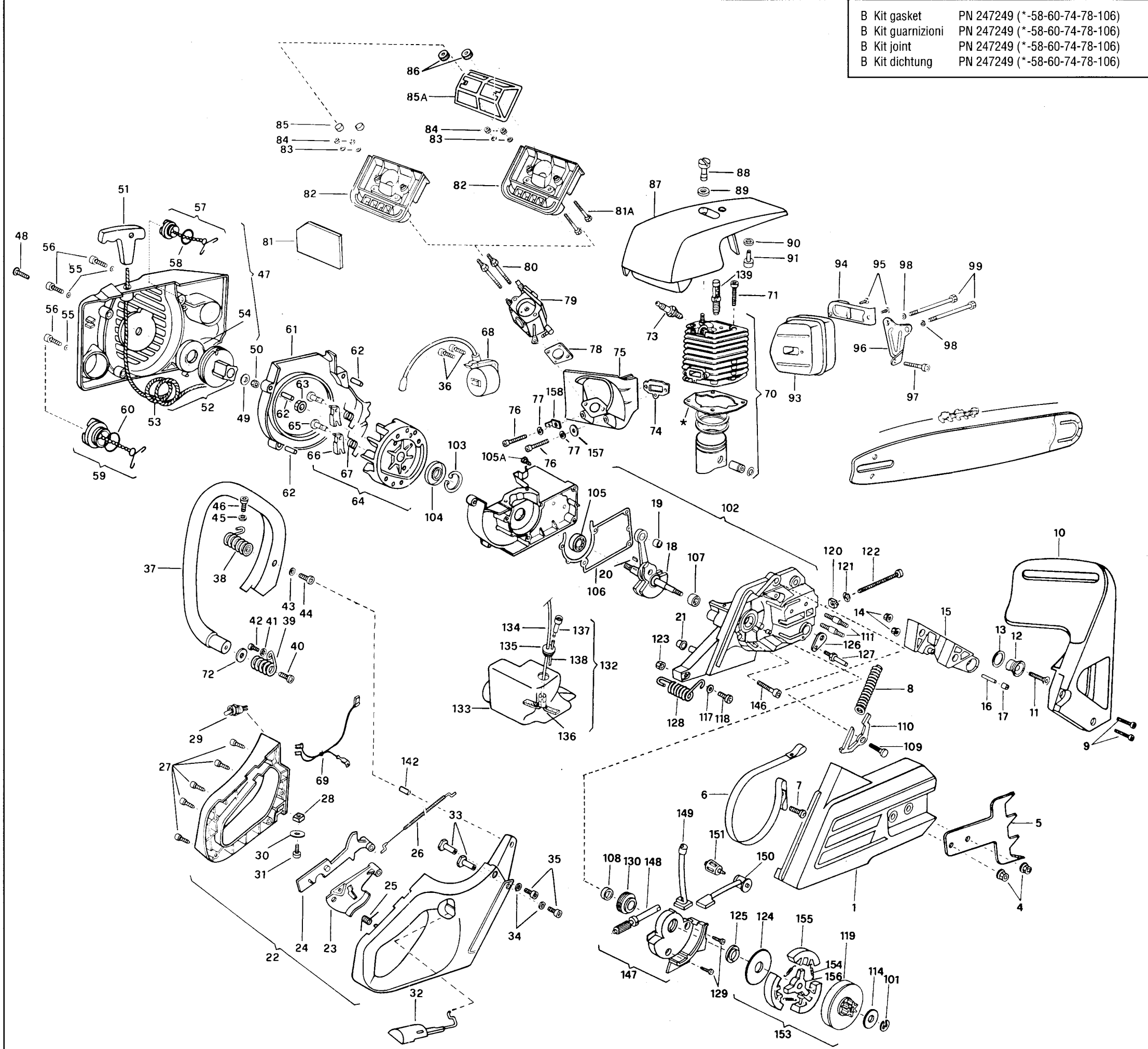


FIGURE 1

A = high moving - alta rotazione - haute demande - große Nachfrage
 B = medium moving - media rotazione - moyenne demande - mittelmäßige Nachfrage
 C = slow moving - bassa rotazione - basse demande - wenige Nachfrage

	38 cc	<table border="0"> <tr><td>C</td><td>1</td><td>•</td><td>247253</td><td>1</td></tr> <tr><td>B</td><td>2</td><td>•</td><td>240343</td><td>1</td></tr> <tr><td>C</td><td>3</td><td>•</td><td>247256</td><td>1</td></tr> <tr><td></td><td>4</td><td>••</td><td>235008</td><td>2</td></tr> <tr><td>B</td><td>5</td><td>••</td><td>240005</td><td>2</td></tr> </table>	C	1	•	247253	1	B	2	•	240343	1	C	3	•	247256	1		4	••	235008	2	B	5	••	240005	2
	C	1	•	247253	1																						
	B	2	•	240343	1																						
C	3	•	247256	1																							
	4	••	235008	2																							
B	5	••	240005	2																							
40 cc	<table border="0"> <tr><td>C</td><td>1</td><td></td><td>247254</td><td>1</td></tr> <tr><td>B</td><td>2</td><td>•</td><td>240343</td><td>1</td></tr> <tr><td>C</td><td>3</td><td>•</td><td>247257</td><td>1</td></tr> <tr><td></td><td>4</td><td>••</td><td>235008</td><td>2</td></tr> <tr><td>B</td><td>5</td><td>••</td><td>240085</td><td>2</td></tr> </table>	C	1		247254	1	B	2	•	240343	1	C	3	•	247257	1		4	••	235008	2	B	5	••	240085	2	
C	1		247254	1																							
B	2	•	240343	1																							
C	3	•	247257	1																							
	4	••	235008	2																							
B	5	••	240085	2																							
46 cc	<table border="0"> <tr><td>C</td><td>1</td><td></td><td>248500</td><td>1</td></tr> <tr><td>B</td><td>2</td><td>•</td><td>240343</td><td>1</td></tr> <tr><td>C</td><td>3</td><td>•</td><td>247258</td><td>1</td></tr> <tr><td></td><td>4</td><td>••</td><td>229544</td><td>2</td></tr> <tr><td>B</td><td>5</td><td>••</td><td>240353</td><td>1</td></tr> </table>	C	1		248500	1	B	2	•	240343	1	C	3	•	247258	1		4	••	229544	2	B	5	••	240353	1	
C	1		248500	1																							
B	2	•	240343	1																							
C	3	•	247258	1																							
	4	••	229544	2																							
B	5	••	240353	1																							

FIGURE 2

WALBRO WT 414				
C	-		240350	carbur.
B	1	•	247260	1
A	2	••	229191	1
	3	•	247261	1
	4	•	237481	1
	5	•	247388	H 1
	6	•	246540	L 1
	7	•	229601	2
C	8	•	247387	1

ZAMA C1Q M39				
C	-		242062	carbur.
B	1	•	226226	1
A	2	••	226227	1

FIGURE 3

A = high moving - alta rotazione - haute demande - große Nachfrage
 B = medium moving - media rotazione - moyenne demande - mittelmäßige Nachfrage
 C = slow moving - bassa rotazione - basse demande - wenige Nachfrage